

# ISDN S-INTERFACE TRANSFORMERS

Dual and Single Through Hole



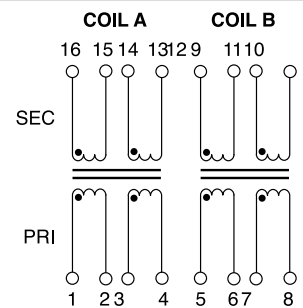
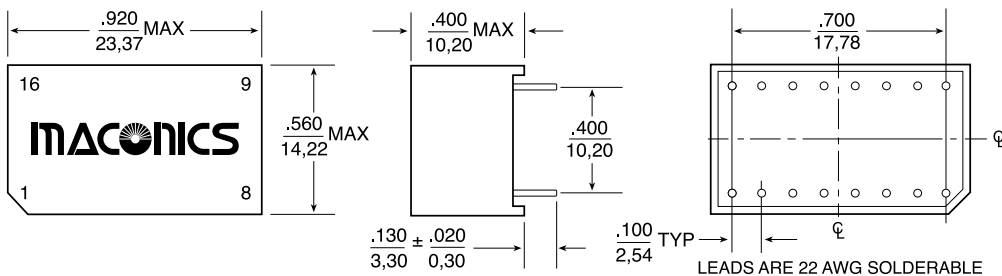
## Electrical Specifications @ 25°C – Operating Temperature 0°C to 70°C

Part Number	COIL A				COIL B				Package/ Schematic
	Ratio	Equivalent Single	Primary Pins	Secondary Pins	Ratio	Equivalent Single	Primary Pins	Secondary Pins	
MR-76503	1:1	MR-75004	1-4	16-13	1:2	MR-75006	5-8	12-9	F
MR-76504	1:1	MR-75004	1-4	16-13	1:1	MR-75004	5-8	12-9	F
MR-76506	1:2	MR-75006	1-4	16-13	1:2	MR-75006	5-8	12-9	F
MR-76509	1:2.5	MR-75009	1-4	16-13	1:2.5	MR-75009	5-8	12-9	F
MR-76500	1:2	MR-75000	1-4	16-13	1:2	MR-75000	5-8	12-9	F

### Mechanical

### Schematic

F



## Electrical Specifications @ 25°C – Operating Temperature 0°C to 70°C

3kV REINFORCED INSULATION, THROUGH HOLE, SINGLE TRANSFORMERS									
Pulse Part Number	Ratio ± 2% (Pri:Sec)	OCL Pri (mH MIN)	L <sub>L</sub> Sec (μH MAX)	C <sub>w/w</sub> (pF MAX)	C <sub>D</sub> (pF MAX)	DCR (Ω ±25%)		Unbalanced I <sub>DC</sub> (mA MAX)	Package/ Schematic
						Primary	Secondary		
MR-79003	1CS:2CT	22	15	60	80	3.0	5.5	5	G-/B
MR-79004	1CS:1	22	5	40	40	2.8	2.7	5	G-/A
MR-79006	1CS:2	22	15	60	80	3.0	5.5	5	G-/A
MR-79009	1CS:2.5	22	8-40	40	110	3.0	7.0	5	G-/A
MR-79000	1CS:2	22	11	50	110	2.8	5.5	5	G-/A

### Mechanical

### Schematic

G

